

Straight grab bar made of seamless stainless steel AISI 304 pipe, with polished finish

Code **G29JAS01** Series **Polished steel**



Net weight kg 0,75 Dimensions [WxDxH] mm 350x100x80

In use weight capacity Vertical kg 150

#### Use and installation info

Use Wall installation

#### Cleaning

Clean using pure water and home disinfectants which have been sufficiently diluted in water. Do not use abrasive detergents and trichloroethylene, oxygenated water or acetone-based solvents.

Fasteners Not included with the product

*Ponte Giulio suggest to use fasteners suitable to the wall characteristics on which the product will be installed.*

#### Packaging information

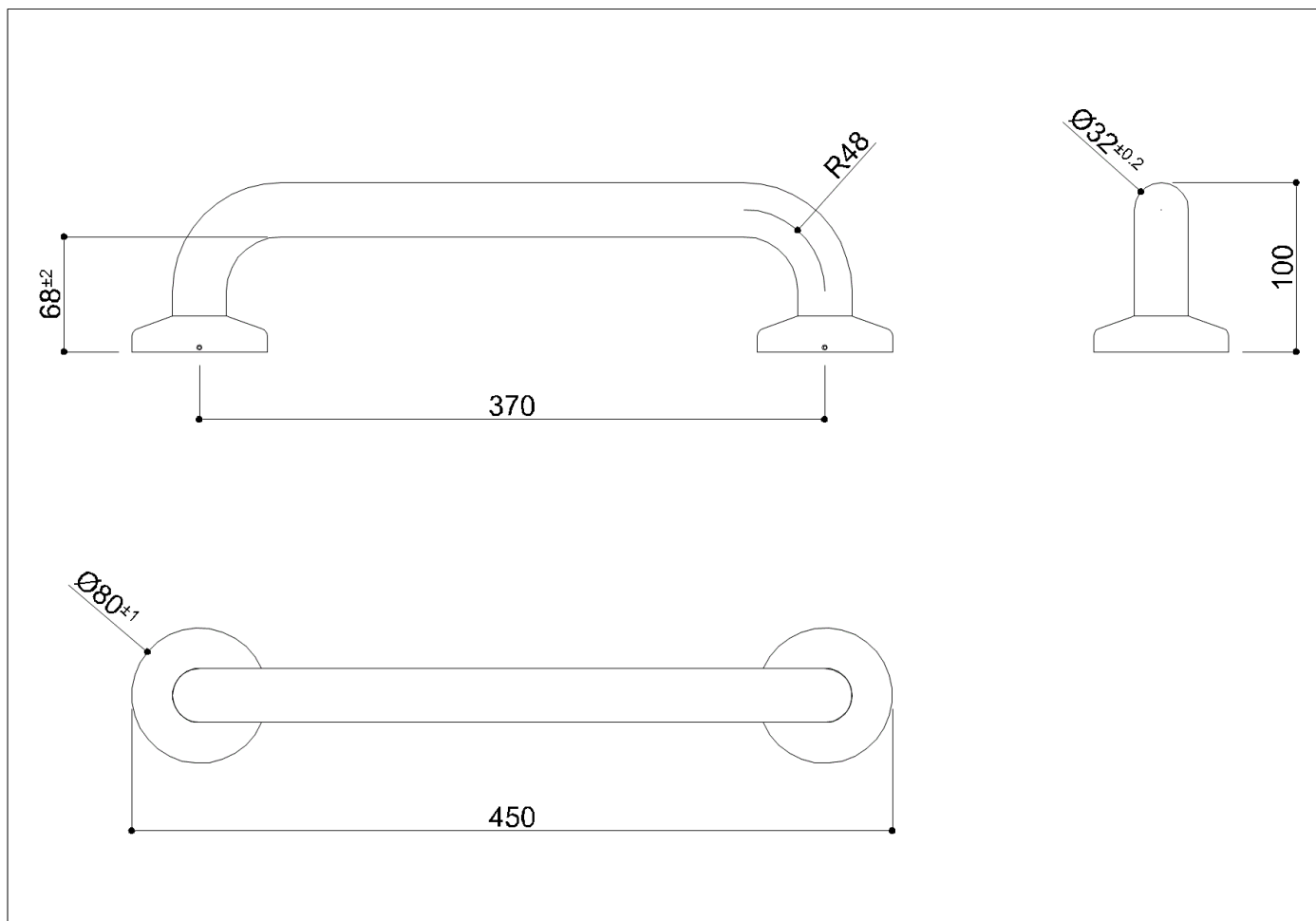
Type of package Nylon bag in cardboard packaging

Dimensions [WxDxH] mm 560x115x40 Weight kg



#### Available colours

**N2 Glossy**



Polished stainless steel straight safety grab rail, Ø 32x1.5 mm in AISI 304 stainless steel, no junctions.

Wall clearance 50 mm.

Concealed wall fixing kit Ø 80 mm with stainless steel flange cover and flange

Code **G29JAS02** Series **Polished steel**

Net weight kg 0,85 Dimensions [WxDxH] mm 450x100x80

In use weight capacity Vertical kg 150

#### Use and installation info

Use Wall installation

#### Cleaning

Clean using pure water and home disinfectants which have been sufficiently diluted in water. Do not use abrasive detergents and trichloroethylene, oxygenated water or acetone-based solvents.

Fasteners Not included with the product

*Ponte Giulio suggest to use fasteners suitable to the wall characteristics on which the product will be installed.*

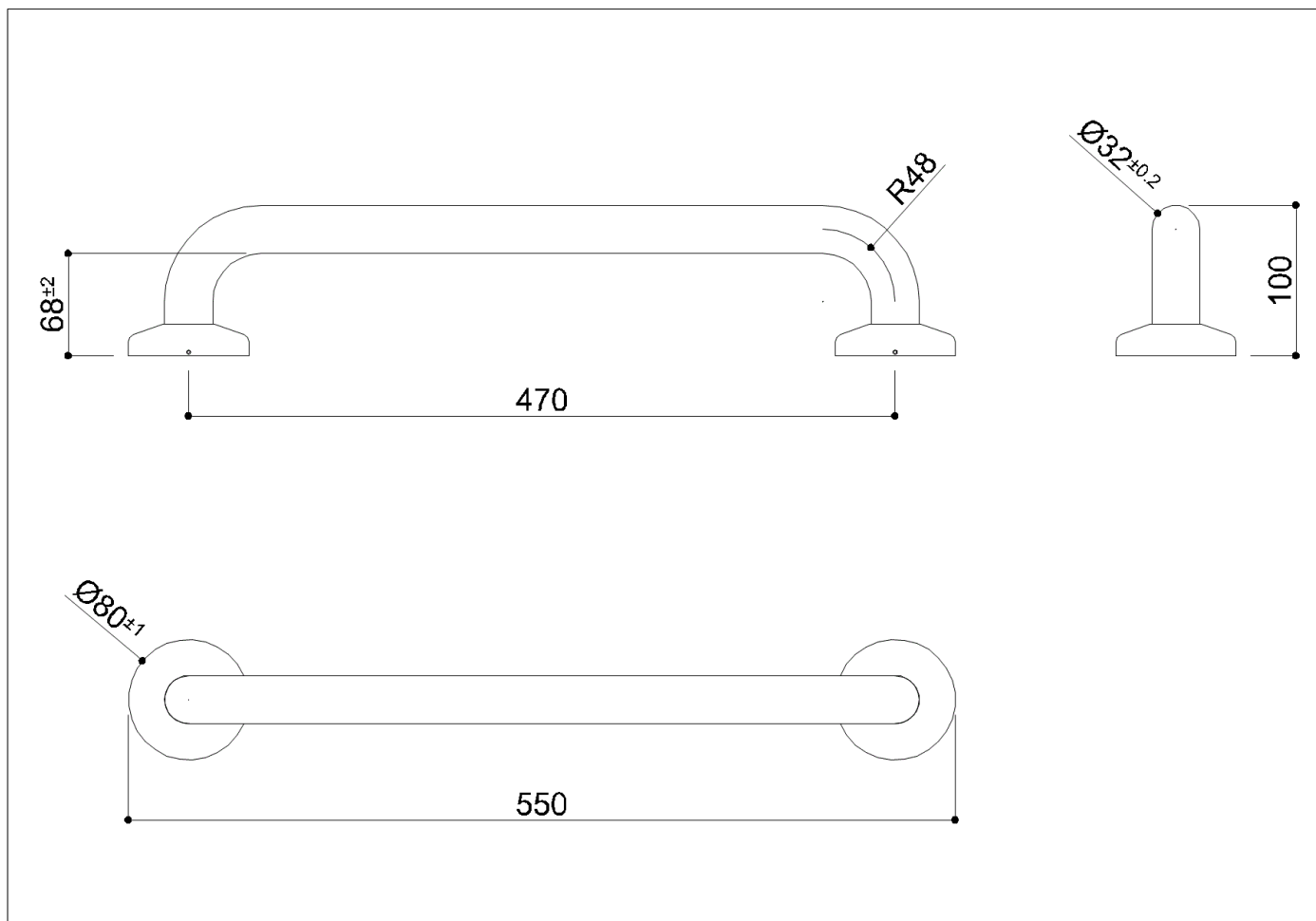


#### Packaging information

Type of package Nylon bag in cardboard packaging

Dimensions [WxDxH] mm 560x115x40 Weight kg 1,1

#### Available colours



Polished stainless steel straight safety grab rail,  $\varnothing$  32x1.5 mm in AISI 304 stainless steel, no junctions.

Wall clearance 50 mm.

Concealed wall fixing kit  $\varnothing$  80 mm with stainless steel flange cover and flange

**Code G29JAS03 Series Polished steel**

Net weight kg 0,95 Dimensions [WxDxH] mm 550x100x80

In use weight capacity Vertical kg 150

#### Use and installation info

*Use* Wall installation

#### *Cleaning*

Clean using pure water and home disinfectants which have been sufficiently diluted in water. Do not use abrasive detergents and trichloroethylene, oxygenated water or acetone-based solvents.

*Fasteners* Not included with the product

*Ponte Giulio suggest to use fasteners suitable to the wall characteristics on which the product will be installed.*

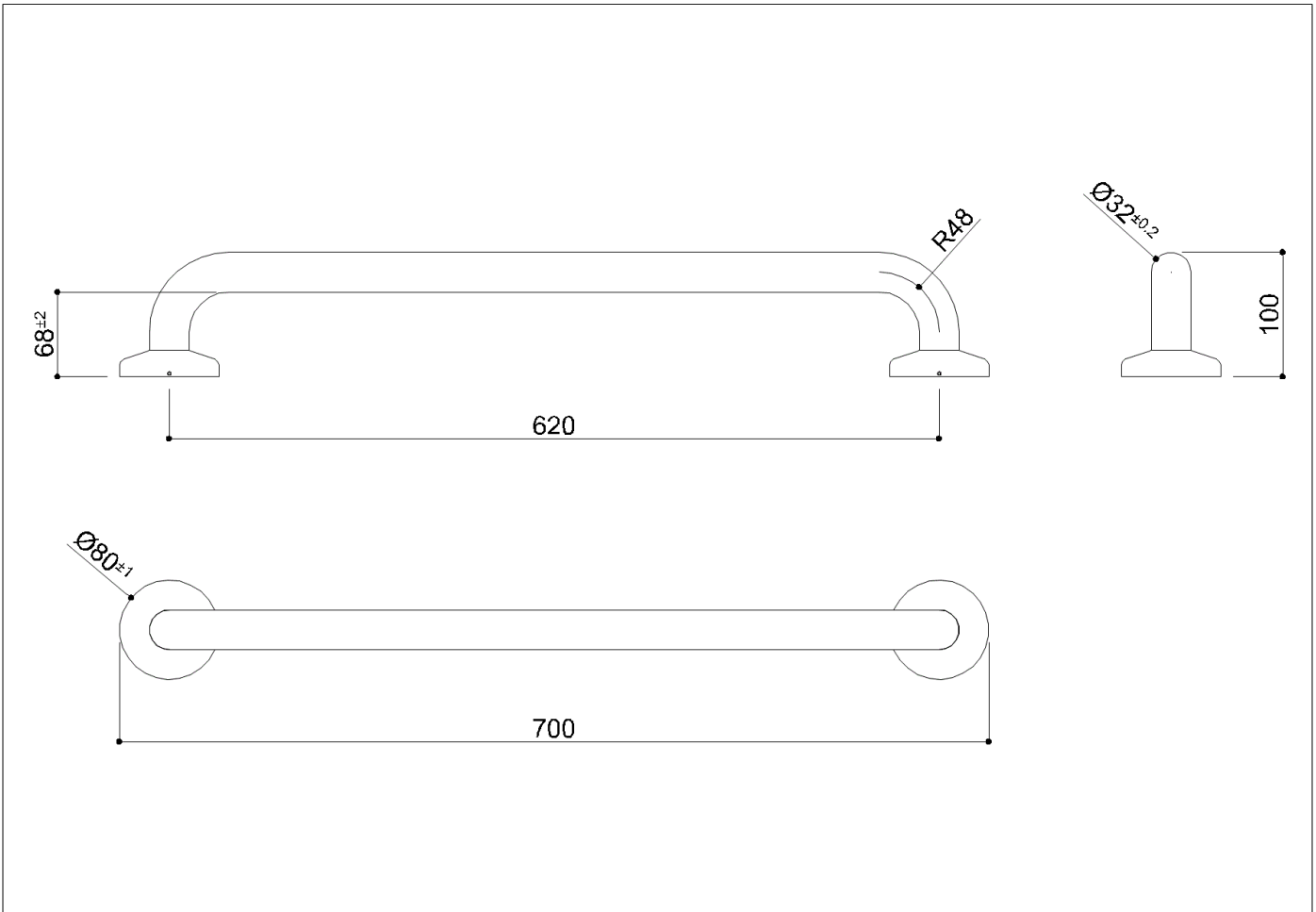


#### Packaging information

*Type of package* Nylon bag in cardboard packaging

*Dimensions [WxDxH] mm* 560x115x40 *Weight kg* 1,127

#### Available colours



Polished stainless steel straight safety grab rail, Ø 32x1.5 mm in AISI 304 stainless steel, no junctions.

Wall clearance 50 mm.

Concealed wall fixing kit Ø 80 mm with stainless steel flange cover and flange

**Code G29JAS05 Series Polished steel**

Net weight kg 1,1 Dimensions [WxDxH] mm 700x100x80

In use weight capacity Vertical kg 150

#### Use and installation info

**Use** Wall installation

#### Cleaning

Clean using pure water and home disinfectants which have been sufficiently diluted in water. Do not use abrasive detergents and trichloroethylene, oxygenated water or acetone-based solvents.

**Fasteners** Not included with the product

*Ponte Giulio suggest to use fasteners suitable to the wall characteristics on which the product will be installed.*

#### Packaging information

**Type of package** Nylon bag in cardboard packaging

**Dimensions [WxDxH] mm** 885x130x50 **Weight kg** 1,311

#### Available colours

