

Straight safety grab rail manufactured from 32 mm (AISI 304) stainless steel tube with ABS ends chrome plated and come in a variety of standard lengths. The rails are powdered coated to a selective colour range, or can be polished stainless steel.

Code DR11 Series Designer Rail

Net weight kg 0,38 Dimensions [WxDxH] mm 385x70x80

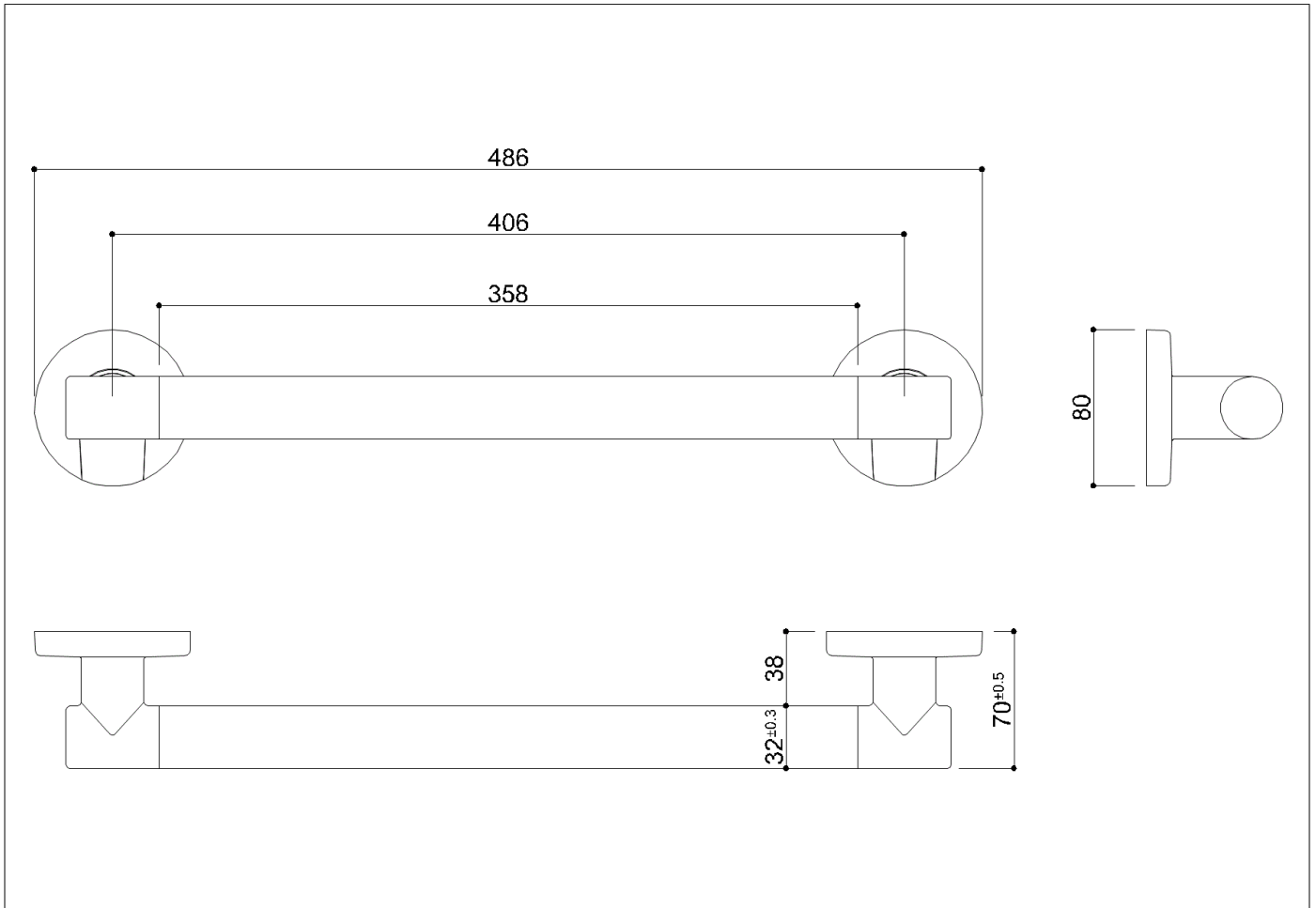
In use weight capacity Vertical kg 150

Use and installation info

Fasteners

Packaging information

Dimensions [WxDxH] mm 700x85x95 Weight kg 0,5



Straight safety grab rail manufactured from 32 mm (AISI 304) stainless steel tube with ABS ends chrome plated and come in a variety of standard lengths. The rails are powdered coated to a selective colour range, or can be polished stainless steel.

Code DR12 Series Designer Rail

Net weight kg 0,58 Dimensions [WxDxH] mm 486x70x80

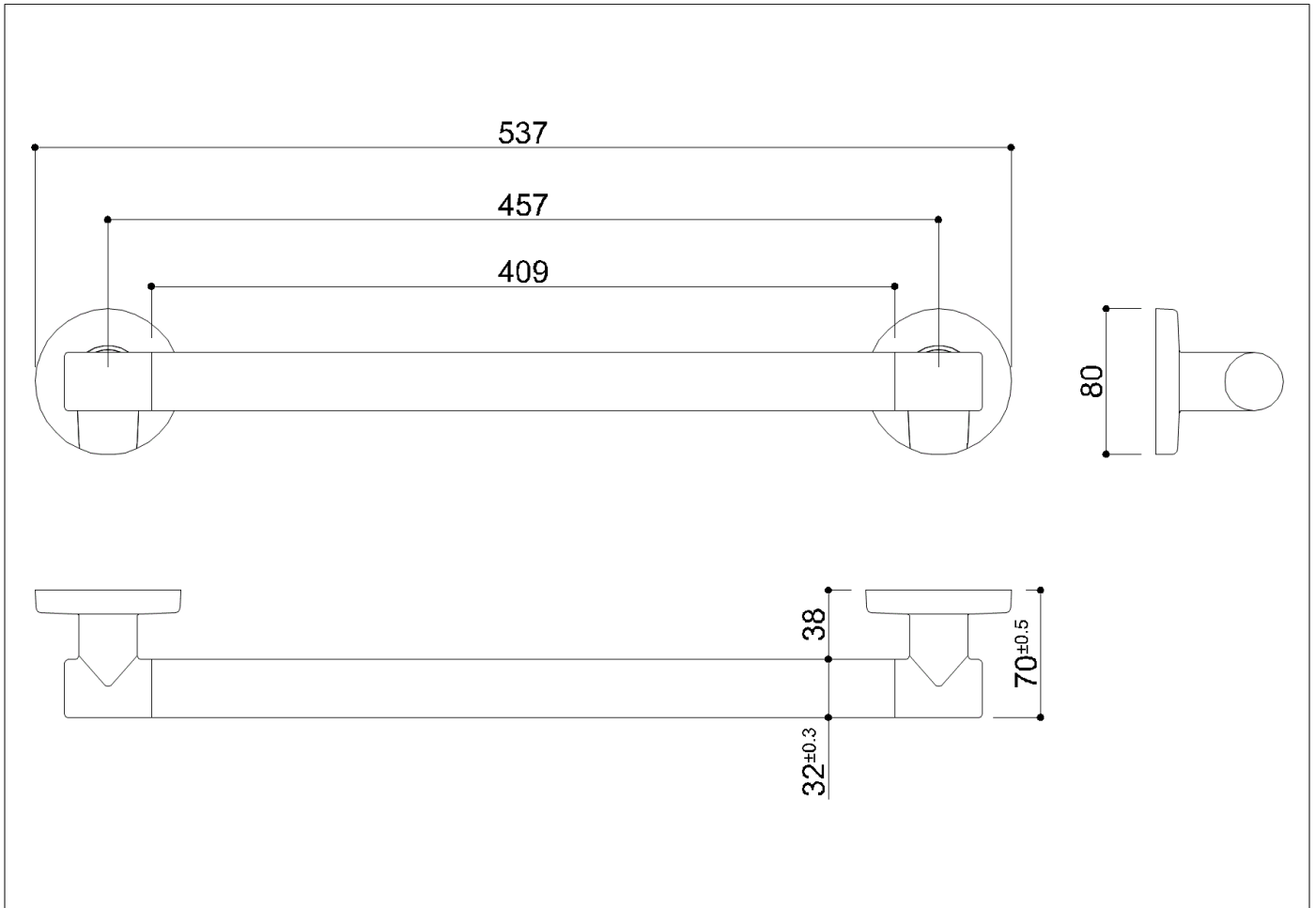
In use weight capacity Vertical kg 150

Use and installation info

Fasteners

Packaging information

Dimensions [WxDxH] mm 700x85x95 Weight kg 0,75



Straight safety grab rail manufactured from 32 mm (AISI 304) stainless steel tube with ABS ends chrome plated and come in a variety of standard lengths. The rails are powdered coated to a selective colour range, or can be polished stainless steel.

Code DR13 Series Designer Rail

Net weight kg 0,63 Dimensions [WxDxH] mm 537x70x80

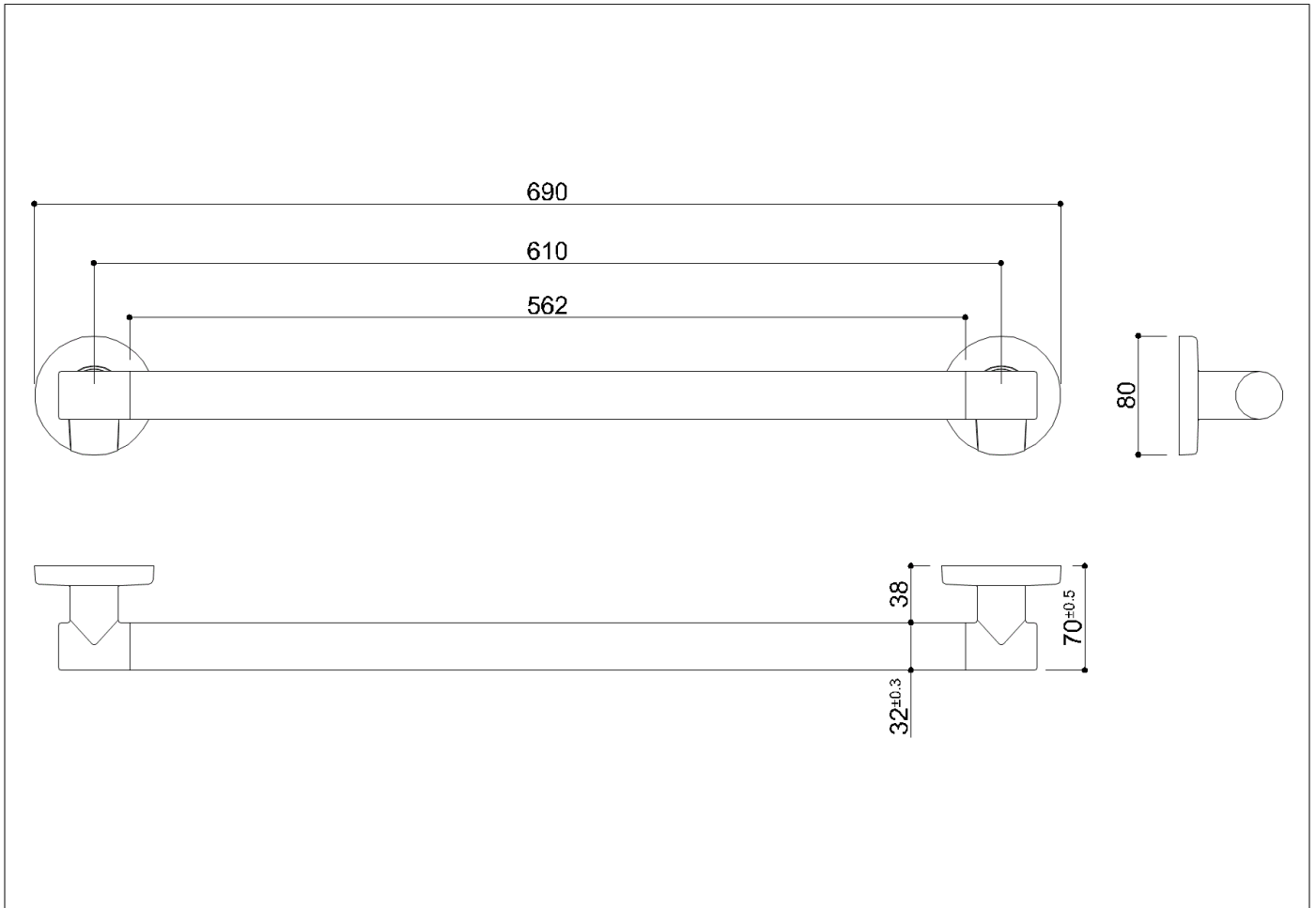
In use weight capacity Vertical kg 150

Use and installation info

Fasteners

Packaging information

Dimensions [WxDxH] mm 700x85x95 Weight kg 0,78



Straight safety grab rail manufactured from 32 mm (AISI 304) stainless steel tube with ABS ends chrome plated and come in a variety of standard lengths. The rails are powdered coated to a selective colour range, or can be polished stainless steel.

Code DR14 Series Designer Rail

Net weight kg 0,79 Dimensions [WxDxH] mm 690x70x80

In use weight capacity Vertical kg 150

Use and installation info

Fasteners

Packaging information

Dimensions [WxDxH] mm 700x85x95 Weight kg 0,99