




Kitchen mixer 9000

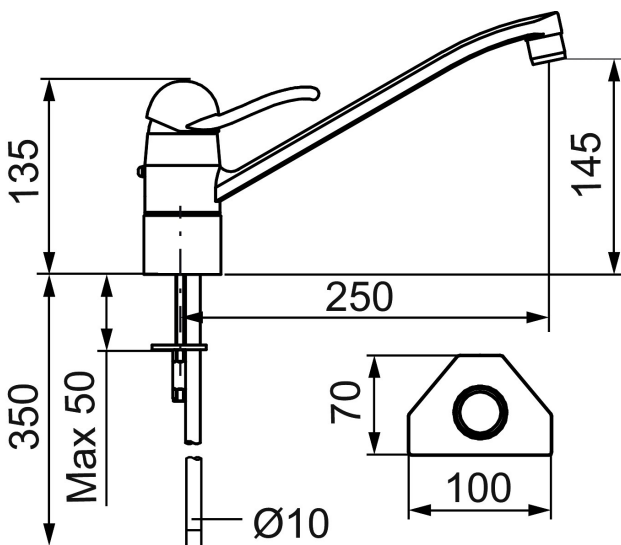
The FM Mattsson 9000 kitchen mixer has a harmonious, classic design. Standard features include a hot water lock, adjustable flow control, a soft-close mechanism and a ceramic seal. These features eliminate the risk of scalding, and protect the pipes by preventing water hammering. With its popular, user-friendly design, this has been Sweden's best selling mixer for many years. Article number: 91000000

- Ceramic cartridge with soft closing function
- Adjustable flow control and temperature limiter
- Swivel spout 110°
- Hole diameter Ø28 mm

Unique characteristics



Backflow protection unit type 

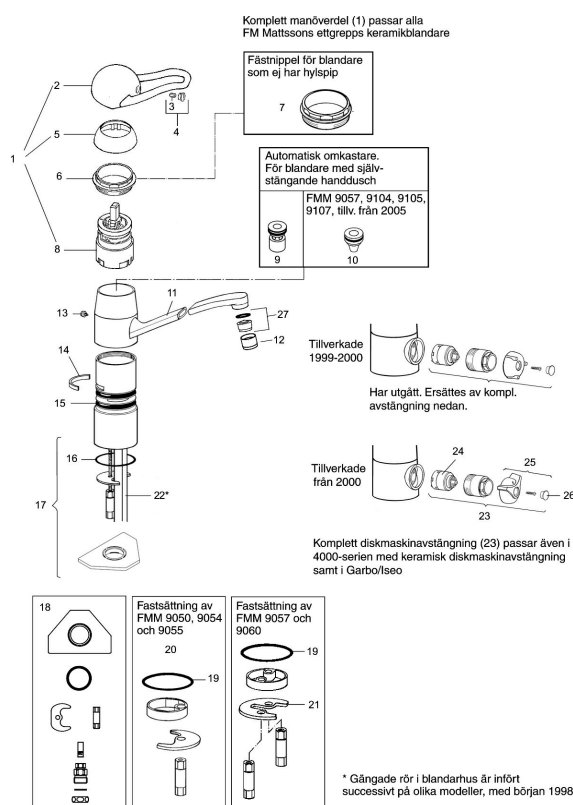


PRODUCT DESCRIPTION

Kitchen mixer 9000

The FM Mattsson 9000 kitchen mixer has a harmonious, classic design. Standard features include a hot water lock, adjustable flow control, a soft-close mechanism and a ceramic seal. These features eliminate the risk of scalding, and protect the pipes by preventing water hammering. With its popular, user-friendly design, this has been Sweden's best selling mixer for many years.

Article number: 91000000



Sparepartlist

NO.	FMM NO.	RSK	DESCRIPTION
1	59303000	8591821	Soft closing headwork, complete, with lever 110 mm, chrome
1	59302000	8591973	Soft closing headwork, complete, with lever 110 mm, cold start, chrome
1	59306000	8591825	Softclosing headwork, complete, with lever 145 mm, chrome
1	59306190	8591852	Softclosing headwork, complete, with lever 190 mm, chrome
1	59306290	8591853	Softclosing headwork, complete, with lever 290 mm, chrome
2	59310000	8591763	Lever, complete, L=110 mm, chrome
2	59311450	8591827	Lever, complete, L=145 mm, chrome
2	59351900	8591832	Lever, L=190 mm, chrome
2	59352900	8591833	Lever, L=290 mm, chrome

NO.	FMM NO.	RSK	DESCRIPTION
3	38731006	8591765	Lock screw
4	59320000	8591766	Cover lid with colour marking
5	59330000	8591829	Cover ring, chrome
6	38051000	8241719	Fastening nipple,chrome
8	59110000	8591770	Ceramic cartridge (red ring), not cold start
8	59120000	8591769	Ceramic cartridge (green ring), cold start
9	37731005	8242259	Diverter, ejector
10	37731705	8242261	Diverter, ejector, Modell 2005-
11	37652459	8910664	Swivel spout with aerator and stop screw, L=250 mm, 110°, chrome
11	37651553	8241888	Swivel spout with aerator and stop screw, L=155 mm, 110° and fixed, chrome
12	29142200	8281524	Housing M22 int.
13	38080000	8241723	Stop screw
14	38230005	8141730	Limitation clamp for fixed spout and swivel 30-90°
15	37204029	8593089	Sealing rings, 2 pcs
16	37802850	8141748	O-ring 42,2x3,0
19	37802810	8141747	O-ring 39,2x3,0
20	39140000	8186889	Fastening kit for basin mixer
21	39070016	8141755	Fastening plate for two screws
22	39100000	8591708	Connection pipes, CU 10x363, chrome (for basin mixer)
22	39100500	8591857	Connection pipes, CU 10x363, raw brass (for mixers with on/off valve)
22	39101500	8591858	Connection pipes, CU 10x392, raw brass (for mixers without on/off valve)
23	59251000	8591834	On/off valve for dishwasher, complete
24	59271000	8591843	Ceramic cartridge for dishwasher
25	59261000	8591839	Knob for dishwasher
26	39030000	8295347	End cover, chrome, 2 pcs
27	29102419	8909483	Aerator insert, 11-15 l/min at 300kPa