



Kitchen mixer 9000


The FM Mattsson 9000 kitchen mixer has a harmonious, classic design. Standard features include a hot water lock, adjustable flow control, a soft-close mechanism and a ceramic seal. These features eliminate the risk of scalding, and protect the pipes by preventing water hammering. With its popular, user-friendly design, this has been Sweden's best selling mixer for many years.

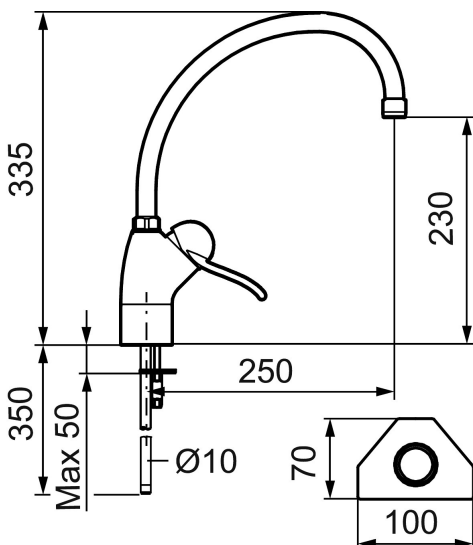
Article number: 91100000

Unique characteristics



- Ceramic cartridge with soft closing function
- Adjustable flow control and temperature limiter
- Swivel spout 110°
- Hole diameter Ø28 mm

Backflow protection unit type 

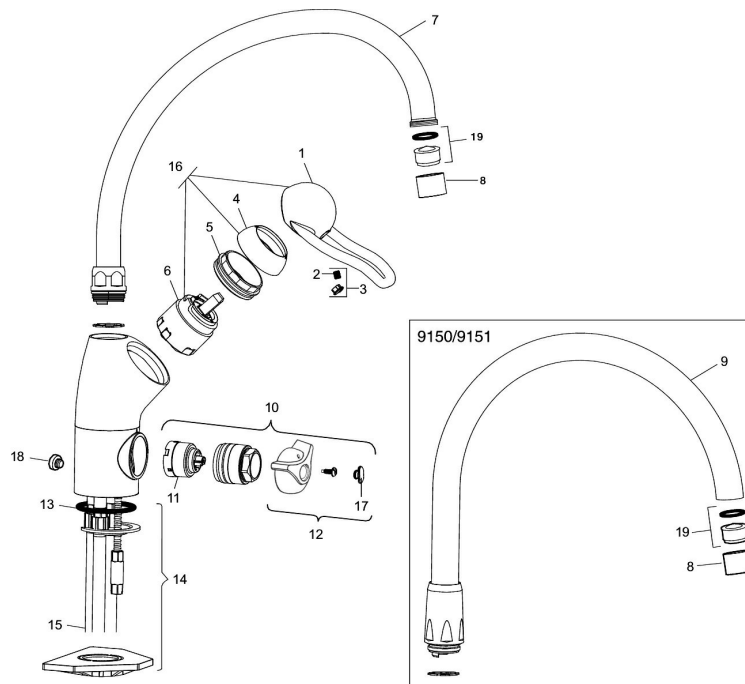


PRODUCT DESCRIPTION

Kitchen mixer 9000

The FM Mattsson 9000 kitchen mixer has a harmonious, classic design. Standard features include a hot water lock, adjustable flow control, a soft-close mechanism and a ceramic seal. These features eliminate the risk of scalding, and protect the pipes by preventing water hammering. With its popular, user-friendly design, this has been Sweden's best selling mixer for many years.

Article number: 91100000



Sparepartlist

NO.	FMM NO.	RSK	DESCRIPTION
1	59310000	8591763	Lever, complete, L=110 mm, chrome
1	59311450	8591827	Lever, complete, L=145 mm, chrome
1	59351900	8591832	Lever, L=190 mm, chrome
1	59352900	8591833	Lever, L=290 mm, chrome
2	38731006	8591765	Lock screw
3	59320000	8591766	Cover lid with colour marking
4	59330000	8591829	Cover ring, chrome
5	38050002	8242233	Fastening nipple
6	59110000	8591770	Ceramic cartridge (red ring), not cold start
6	59120000	8591769	Ceramic cartridge (green ring), cold start
7	38170000	8154016	Spout, chrome

NO.	FMM NO.	RSK	DESCRIPTION
8	29142200	8281524	Housing M22 int.
9	59200000	8154050	Spout Ø22, chrome
10	59251000	8591834	On/off valve for dishwasher, complete
11	59271000	8591843	Ceramic cartridge for dishwasher
12	59261000	8591839	Knob for dishwasher
13	37802850	8141748	O-ring 42,2x3,0
14	39141000	8186888	Fastening kit, for mixers without on/off valve
14	39142000	8186890	Fastening kit, for mixers with on/off valve
15	39100500	8591857	Connection pipes, CU 10x363, raw brass (for mixers with on/off valve)
15	39101500	8591858	Connection pipes, CU 10x392, raw brass (for mixers without on/off valve)
16	59303000	8591821	Soft closing headwork, complete, with lever 110 mm, chrome
16	59306000	8591825	Softclosing headwork, complete, with lever 145 mm, chrome
16	59306190	8591852	Softclosing headwork, complete, with lever 190 mm, chrome
16	59306290	8591853	Softclosing headwork, complete, with lever 290 mm, chrome
17	39030000	8295347	End cover, chrome, 2 pcs
18	38740100	8295344	Plug M10x1
19	29102419	8909483	Aerator insert, 11-15 l/min at 300kPa