

Folding grab bar

Code **G18JCS07** Series **HUG**

Net weight kg 2,7 Dimensions [WxDxH] mm 100x600x120

In use weight capacity Vertical kg 150 Horizontal Kg 100

Use and installation info

Use a soft, moist cloth soaked with liquid soap and/or other liquid sanitizing substances. DO NOT USE abrasive liquid detergents, chlorine bleach or strong acids that does not improve the aseptic aspect of the equipment and could lead to opacity and deterioration of the product.

Fasteners Not included with the

Ponte Giulio suggest to use fasteners suitable to the wall characteristics on which the product will be installed.

Packaging information

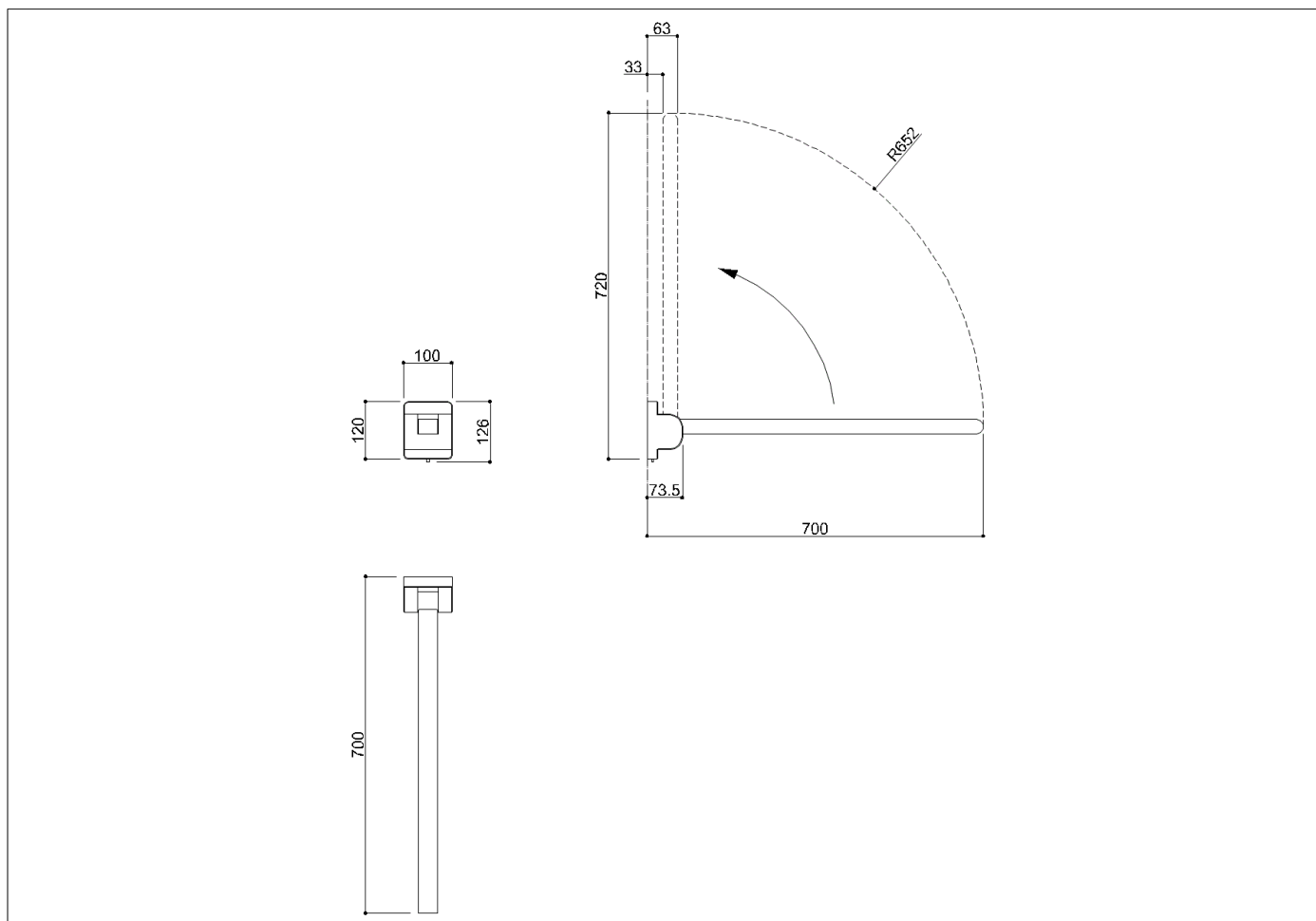
Dimensions [WxDxH] mm 635x145x110 Weight kg 2,95

Available colours

Primary: C1 Chrome, PB Coral, WE Signal White, DD Graphite

Secondary: WE Signal White, D4 Dark Grey, C1 Chrome, PB Coral





Folding grab bar

Code **G18JCS08** Series **HUG**

Net weight kg 3 Dimensions [WxDxH] mm 100x700x120

In use weight capacity Vertical kg 150 Horizontal Kg 100

Use and installation info

Use a soft, moist cloth soaked with liquid soap and/or other liquid sanitizing substances. DO NOT USE abrasive liquid detergents, chlorine bleach or strong acids that does not improve the aseptic aspect of the equipment and could lead to opacity and deterioration of the product.

Fasteners Not included with the
Ponte Giulio suggest to use fasteners suitable to the wall characteristics on which the product will be installed.

Packaging information

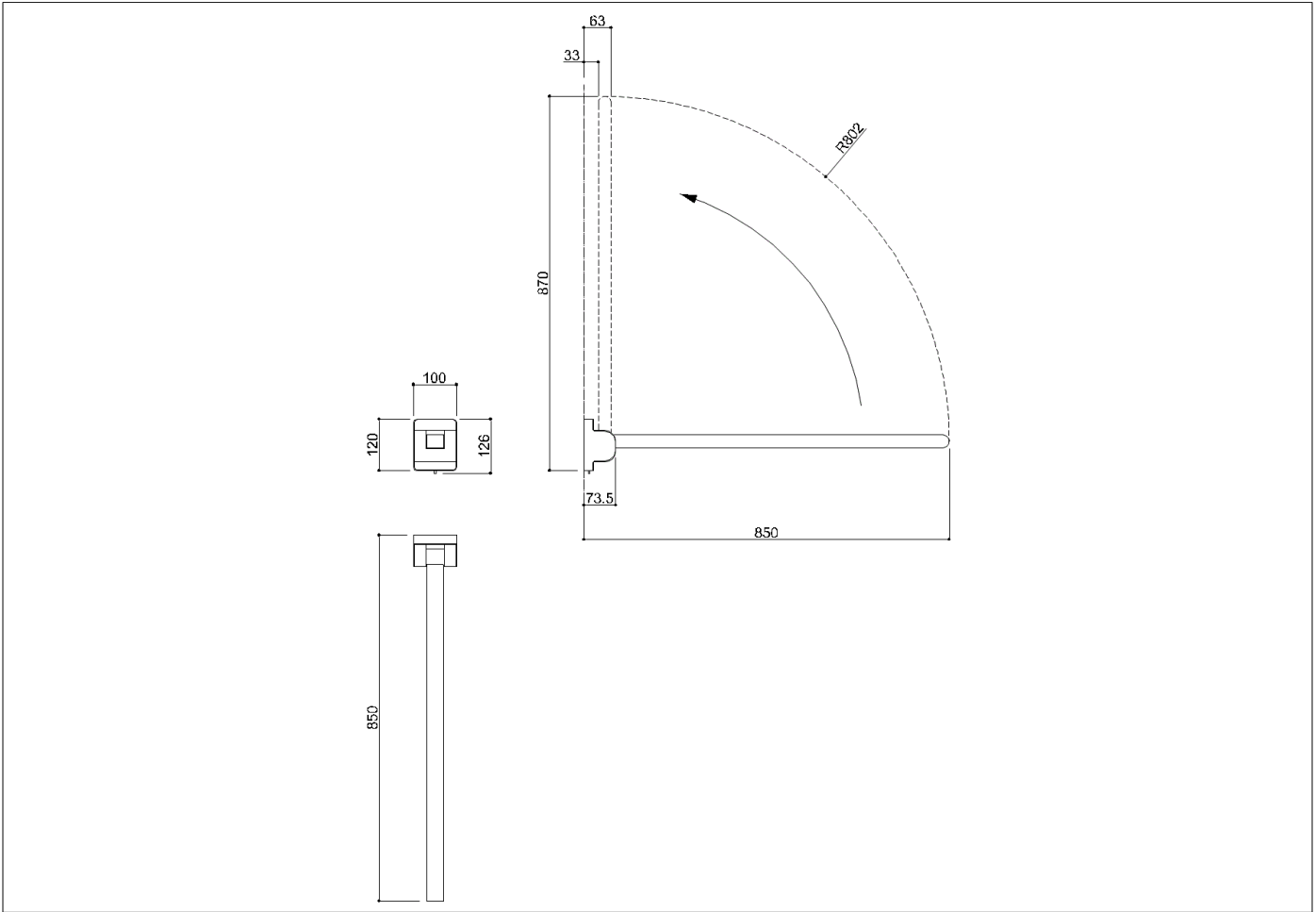
Dimensions [WxDxH] mm 890x145x110 Weight kg 3,33

Available colours

Primary: C1 Chrome, PB Coral, DD Graphite, WE Signal White

Secondary: D4 Dark Grey, WE Signal White, C1 Chrome, PB Coral





Folding grab bar

Code **G18JCS09** Series **HUG**

Net weight kg 3,4 Dimensions [WxDxH] mm 100x850x120

In use weight capacity Vertical kg 150 Horizontal Kg 100

Use and installation info

Fasteners

Ponte Giulio suggest to use fasteners suitable to the wall characteristics on which the product will be installed.

Packaging information

Dimensions [WxDxH] mm 890x145x110 Weight kg 3,73

Available colours

Primary: C1 Chrome, PB Coral, DD Graphite, WE Signal White

Secondary: WE Signal White, C1 Chrome, PB Coral, D4 Dark Grey

