

Folding side safety support reinforced with a joint, made of seamless zinc-plated steel pipe, coated with antimicrobial, biocompatible and warm-to-the-touch vinyl

Code G27JCS43 Series

Net weight kg Dimensions [WxDxH] mm 111x650x206

In use weight capacity Vertical kg 120 Horizontal Kg 40

Use and installation info

Use Wall installation

Cleaning

clean with water and neutral products solvent-free and non-abrasive

Fasteners Not included with the product

Ponte Giulio suggest to use fasteners suitable to the wall characteristics on which the product will be installed.

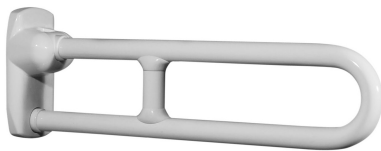
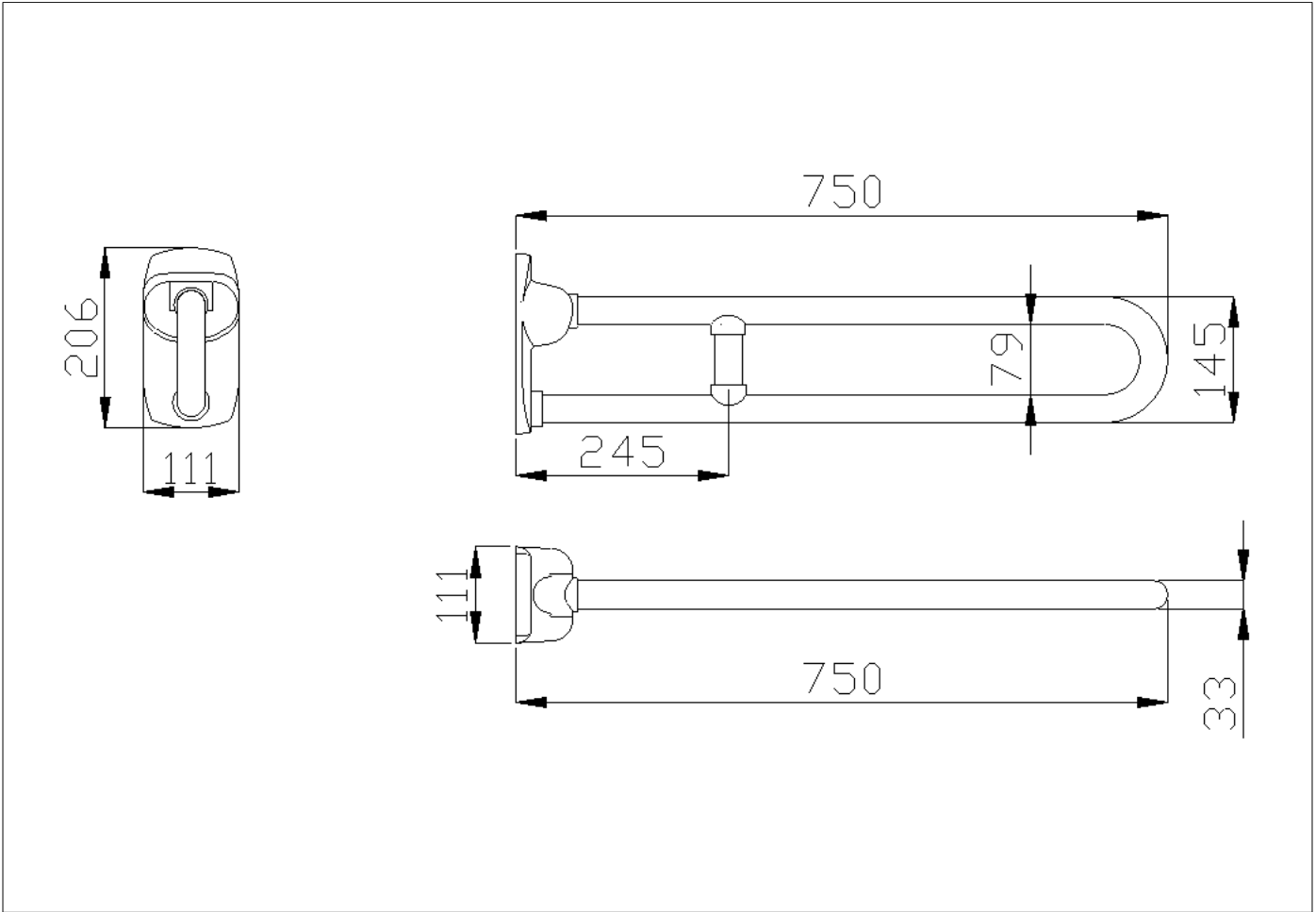
Packaging information

Type of package Nylon bag in cardboard packaging

Dimensions [WxDxH] mm Weight kg

Available colours

B1 Blue, **B2** Light blue, **D1** Black, **D2** Grey, **D4** Dark grey, **G1** Green, **G2** Light green, **I1** Ivory, **I2** Biscuit, **P4** Prune, **R1** Red, **W1** White, **Y1** Yellow, **Y3** Light yellow



Folding side safety support reinforced with a joint, made of seamless zinc-plated steel pipe, coated with antimicrobial, biocompatible and warm-to-the-touch vinyl

Code **G27JCS44** Series

Net weight kg Dimensions [WxDxH] mm 111x750x206

In use weight capacity Vertical kg 120 Horizontal Kg 40

Use and installation info

Use Wall installation

Cleaning

clean with water and neutral products solvent-free and non-abrasive

Fasteners Not included with the product

Ponte Giulio suggest to use fasteners suitable to the wall characteristics on which the product will be installed.

Packaging information

Type of package Nylon bag in cardboard packaging

Dimensions [WxDxH] mm Weight kg

Available colours

B1 Blue, **B2** Light blue, **D1** Black, **D2** Grey, **D4** Dark grey, **G1** Green, **G2** Light green, **I1** Ivory, **I2** Biscuit, **P4** Prune, **R1** Red, **W1** White, **Y1** Yellow, **Y3** Light yellow