

These ergonomic design folding rails are an important feature for persons requiring some support in either the shower or toilet. Manufactured from warm to touch PE-LD material and strengthened with a steel tube running through the core. The fixing plate is made from stainless steel and has a special plastic gasket which prevents damage to the wall or tiles. Inside the

**Code G27JCS81 Series Urban People**

Net weight kg 1,95 Dimensions [WxDxH] mm 110x450x131

In use weight capacity Vertical kg 150 Horizontal Kg 30

**Use and installation info**

Use Wall installation

**Cleaning**

Clean using pure water and home disinfectants which have been sufficiently diluted in water. Do not use abrasive detergents and trichloroethylene, oxygenated water or acetone-based solvents.

**Fasteners** Not included with the product

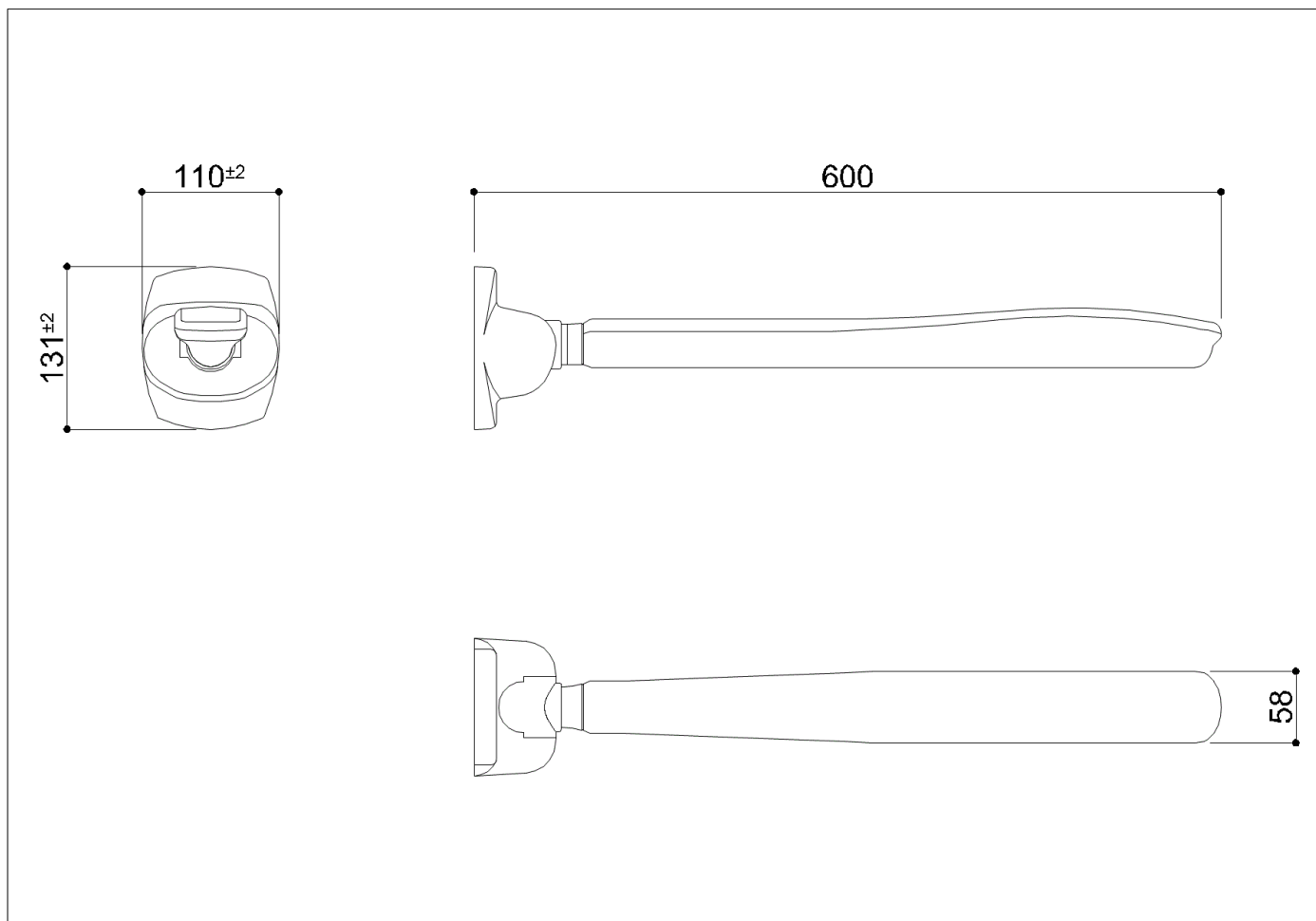
*Ponte Giulio suggest to use fasteners suitable to the wall characteristics on which the product will be installed.*



**Packaging information**

Type of package Nylon bag in cardboard packaging

Dimensions [WxDxH] mm 590x160x110 Weight kg 2,2



These ergonomic design folding rails are an important feature for persons requiring some support in either the shower or toilet. Manufactured from warm to touch PE-LD material and strengthened with a steel tube running through the core. The fixing plate is made from stainless steel and has a special plastic gasket which prevents damage to the wall or tiles. Inside the

**Code G27JCS82 Series Urban People**

Net weight kg 2,6 Dimensions [WxDxH] mm 110x600x131

In use weight capacity Vertical kg 120 Horizontal Kg 30

#### Use and installation info

*Use* Wall installation

#### Cleaning

Clean using pure water and home disinfectants which have been sufficiently diluted in water. Do not use abrasive detergents and trichloroethylene, oxygenated water or acetone-based solvents.

*Fasteners* Not included with the product

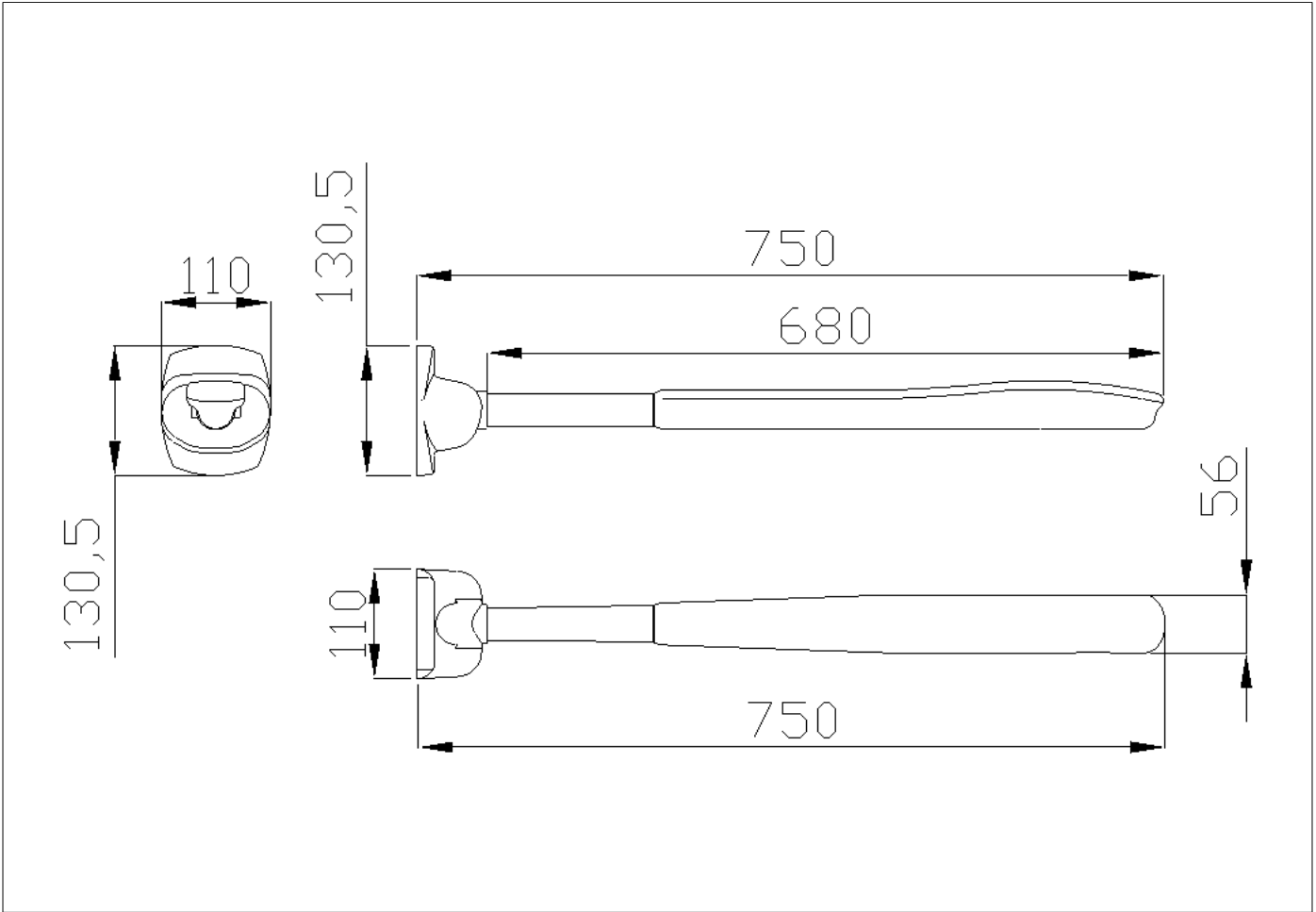
*Ponte Giulio suggest to use fasteners suitable to the wall characteristics on which the product will be installed.*

#### Packaging information

*Type of package* Nylon bag in cardboard packaging

*Dimensions [WxDxH] mm* 655x205x110 *Weight kg* 2,9





Folding arm rest made of ergonomic, warm to the touch, white polyethylene LD

Code **G27JCS83** Series **Urban People®**

Net weight kg 3,25 Dimensions [WxDxH] mm 110x750x130,5

In use weight capacity Vertical kg 100 Horizontal Kg 30

**Use and installation info**

Use Wall installation

**Cleaning**

Clean using pure water and home disinfectants which have been sufficiently diluted in water. Do not use abrasive detergents and trichloroethylene, oxygenated water or acetone-based solvents.

Fasteners Not included with the product

*Ponte Giulio suggest to use fasteners suitable to the wall characteristics on which the product will be installed.*

**Packaging information**

Type of package Nylon bag in cardboard packaging

Dimensions [WxDxH] mm Weight kg

