

Folding grab rail with reinforced joint made of seamless zinc-plated steel pipe, coated with antimicrobial, biocompatible and warm-to-the-touch vinyl

Code **G41JCS09** Series **Tubocolor**

Net weight kg 2,925 Dimensions [WxDxH] mm 113x600x234

In use weight capacity Vertical kg 150 Horizontal Kg 40

Use and installation info

Only with water and a soft cloth

Fasteners Not included with the product

Ponte Giulio suggest to use fasteners suitable to the wall characteristics on which the product will be installed.

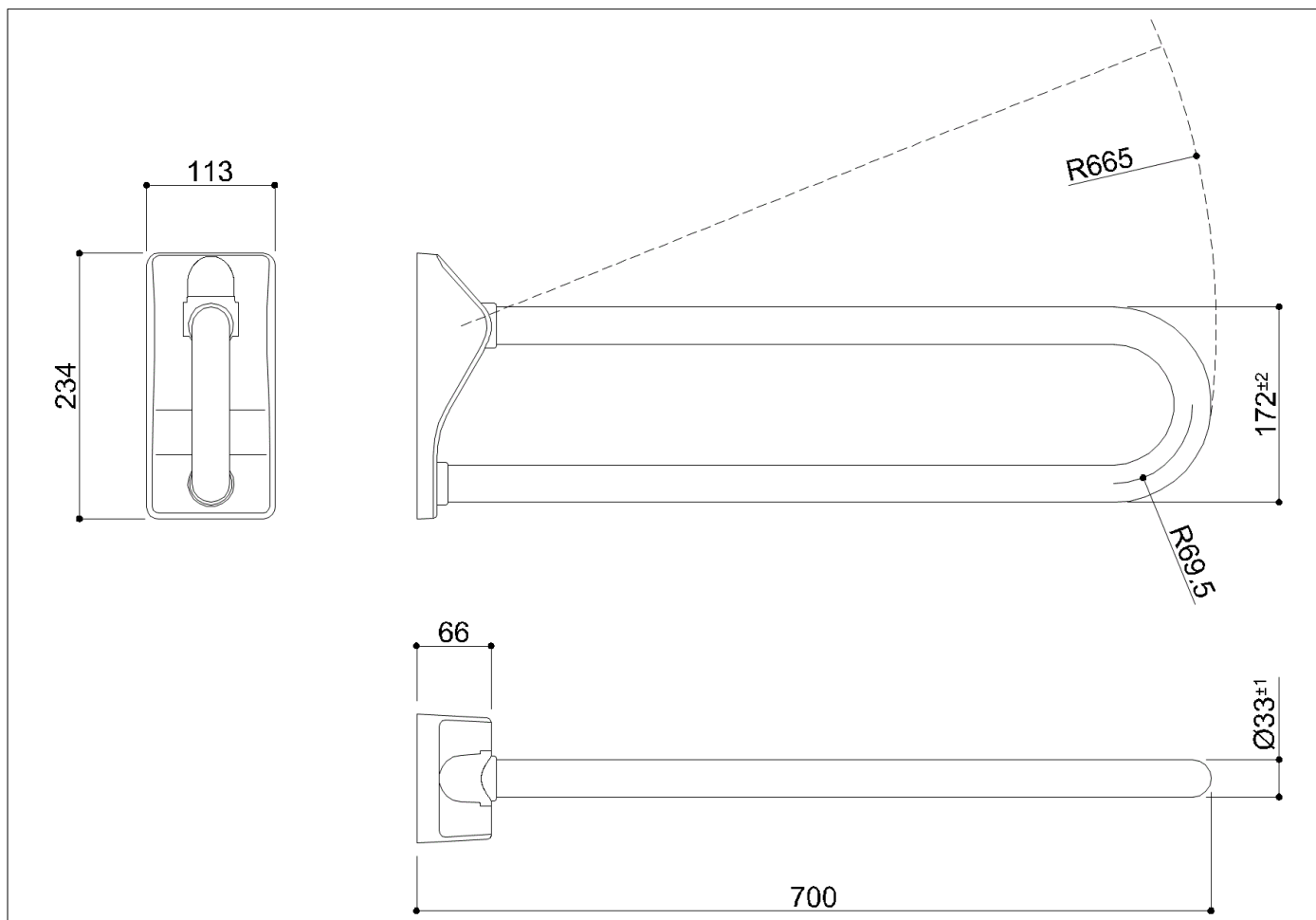
Packaging information

Dimensions [WxDxH] mm 130x630x220 Weight kg 3,325

Available colours

B1 Blue, **D4** Dark Grey, **I2** Biscuit, **P4** Prune, **R7** Ruby red, **W1** White, **Y3** Light yellow, **D1** Black, **D2** Greystone





Folding grab rail with reinforced joint made of seamless zinc-plated steel pipe, coated with antimicrobial, biocompatible and warm-to-the-touch vinyl

Code **G41JCS10** Series **Tubocolor**

Net weight kg 3,375 Dimensions [WxDxH] mm 113x700x234

In use weight capacity Vertical kg 150

Use and installation info

Only with water and a soft cloth

Fasteners Not included with the product

Ponte Giulio suggest to use fasteners suitable to the wall characteristics on which the product will be installed.

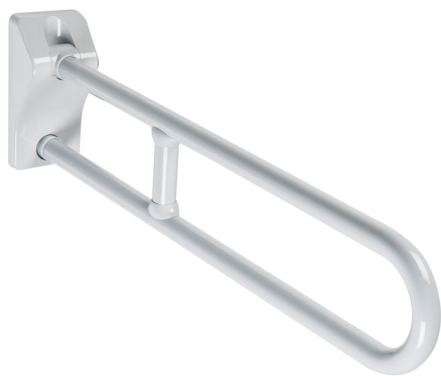
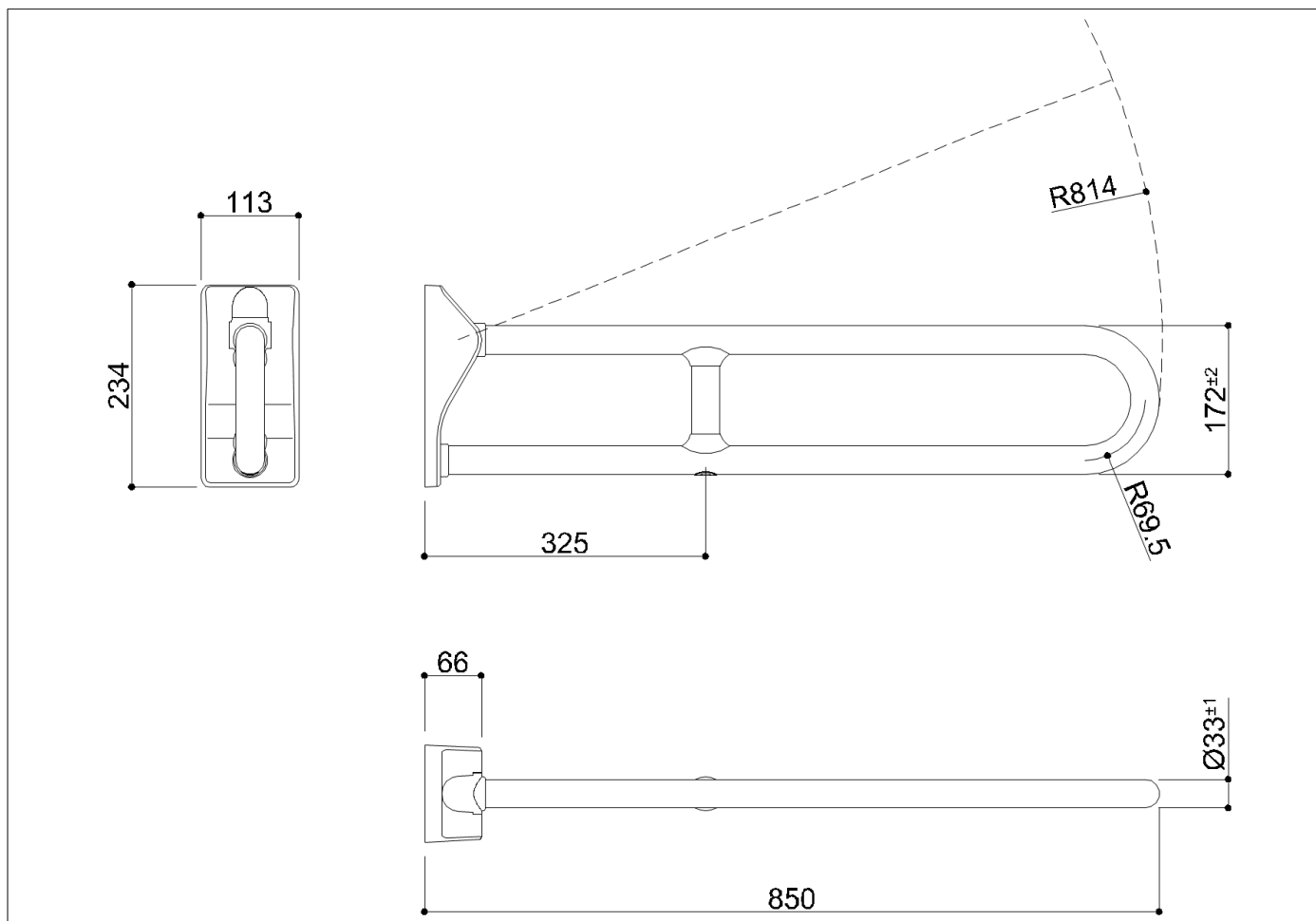
Packaging information

Dimensions [WxDxH] mm 130x880x220 Weight kg 3,875

Available colours

B1 Blue, **D1** Black, **D2** Greystone, **D4** Dark Grey, **I2** Biscuit, **P4** Prune, **R7** Ruby red, **W1** White, **Y3** Light yellow





Safety folding grab rail with reinforced joint \varnothing 33 mm made of seamless zinc-plated steel pipe, coated with antimicrobial, biocompatible and warm-to-the-touch vinyl

Code G41JCS47 Series Tubocolor

Net weight kg 3,855 Dimensions [WxDxH] mm 113x850x234

In use weight capacity Vertical kg 120

Use and installation info

Only with water and a soft cloth

Fasteners Not included with the product

Ponte Giulio suggest to use fasteners suitable to the wall characteristics on which the product will be installed.

Packaging information

Dimensions [WxDxH] mm 130x880x220 Weight kg 4,355

Available colours

B1 Blue, **D1** Black, **D2** Greystone, **I2** Biscuit, **W1** White, **D4** Dark Grey, **P4** Prune, **R7** Ruby red, **Y3** Light yellow

